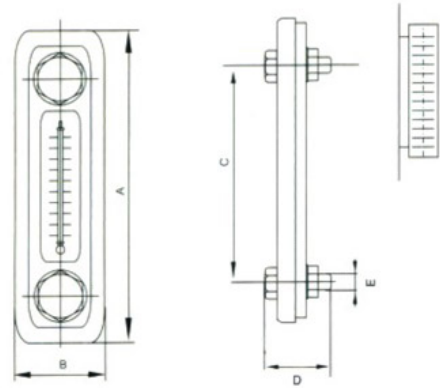


■ Level and Temperature Gauge



Dimensions

Model	A mm	B mm	C mm	D mm	E mm	Weight (g)
LS-3"	121	44	80	36	M10	175
LS-5"	179	50	127	36	M12	300