

## UW-C Series Solenoid Valve



● UW-C-10

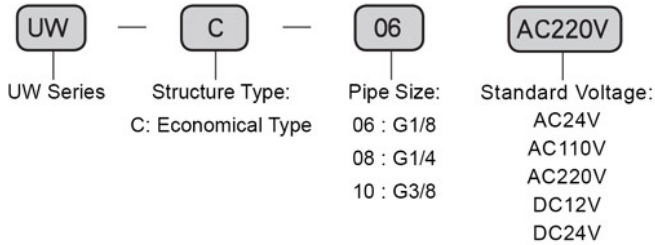


● UW-C-08



● UW-C-06

### ● Ordering Code



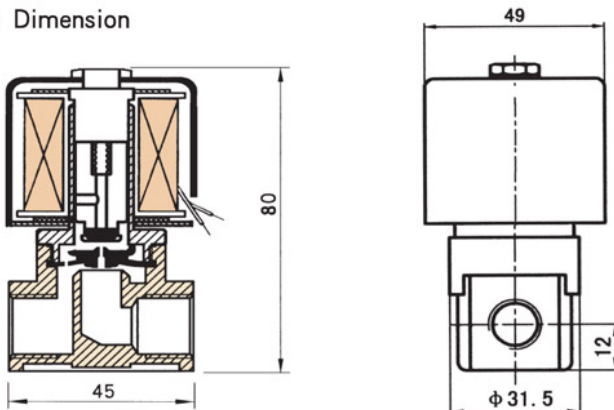
### ■ Specific Property :

This guiding type valve adopts the diaphragm seal structure, with quick action, large flow, simple structure, easy maintenance, good waterproof performance and multiple wiring directions.

### ■ Technical Parameter

Item \ Specification	UW-C-06			UW-C-08			UW-C-10		
Material of Body	Brass								
Operating Method	Film Pilot								
Pipe Size	G1/8			G1/4			G3/8		
Nominal Diameter (mm)	8			10			10		
Applicable Fluid	Air, Water, Oil ( below 50CST )								
Pressure Range	0 ~ 0.8MPa								
Applicable Temperature	-5 ~ 99°C								
Specified Voltage	AC12V	AC24V	AC36V	AC110V	AC220V	AC380V	DC12V	DC24V	DC110V
Power	11 W	11W	10W	12 W	12W	11W	20 W	20 W	20 W
Operating Voltage Range	± 15%								
Min. Activating Time	0.05S								

### ■ Figure Dimension



### ■ Graphic Sign

