

UX/UM Series Solenoid Valve



● UM-22L



● UX22-2L



● UX23-2L

Specific Property:

This valve has direct action type piston and quick action, with multiple purposes, high efficiency, long service life, good waterproof performance, multiple wiring directions and handsome shape.

Technical Parameter

Item) \ Specification	UM-22L			UX22-2L、UX22-2L			UX23-2L、UX23-2L		
Material of Body	Copper			Copper					
Operating Method	Direct Action Type								
Pipe Size	φ 3 管			G1/8			G1/8		
Nominal Diameter (mm)	1			2.5			2.5		
Applicable Fluid	Air、Water								
Pressure Range	0 ~ 1.0MPa								
Applicable Temperature	-5 ~ 99°C								
Specified Voltage	AC12V	AC24V	AC36V	AC110V	AC220V	AC380V	DC12V	DC24V	DC110V
Power	10 W	10 W	10W	10 W	10 W	10 W	10 W	10 W	10 W
Operating Voltage Range	± 15%								
Min. Activating Time	0.05S								

Ordering Code

UX

UM / UX Series

22

Structure Type:
22: 2 Position/ 2 Ports
23: 2 Position/ 3 Ports

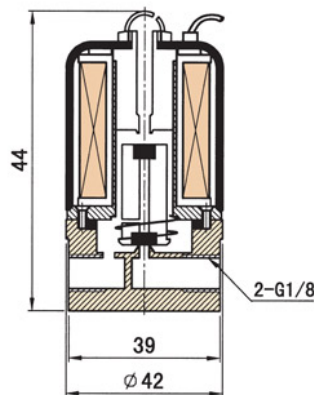
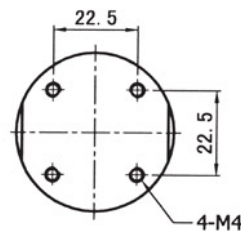
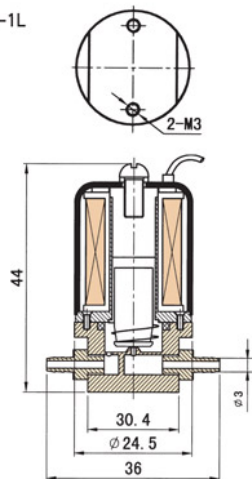
1L

Pipe Type:
1L:
2L: G1/8

AC220V

Standard Voltage:
AC24V
AC110V
AC220V
DC12V
DC24V

● UX22-1L



Graphic Sign

