

STNC[®]



UM Series Pulse Valve

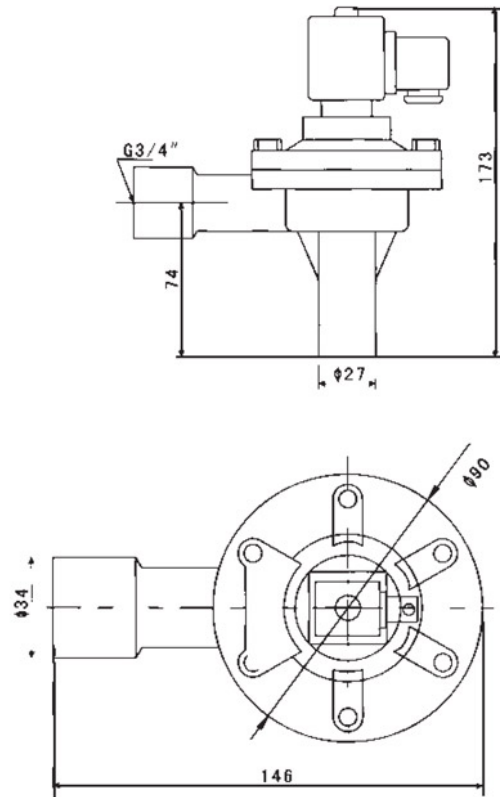
Character

This valve (disk valve) is a kind of compression air switch for blast cleaning system of pulse pocket type dust catcher and is controlled by the output signal from pulse blast controller. It blast cleans the filter bag line by line (pocket by pocket) and ensure the cleaning capacity and dust absorption efficiency of dust catcher.



● UM-20A

Basic dimension



Technical Parameter

Item \ Specification	UM-20A
Pressure Range	0.4 ~ 0.6MPa
Material of Body	Clean air
Specified Voltage	DC24V AC220V AC110V
current	0.8A 0.23A
usage temperature	Temperature : -25°C ~ +55°C, do not surpass 85% of the relative temperature of air
diaphragm life	blast 1 million times or 3 years

UM Series Pulse Valve



● UM-20J

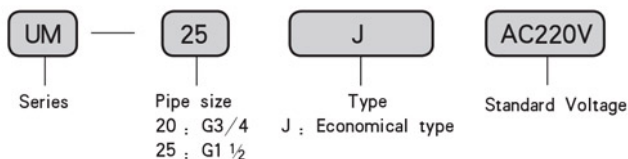


● UM-25J

■ Product Introduction

This valve (disk valve) is a kind of ompression air switch for blast cleaning system of pulse pocket type dust catcher and is controlled by the output signal from pulse blast controller. It blast cleans the fi lter bag line by line (pocket by pocket) and ensure the cleaning capacity and dust absorption effi ciency of dust catcher.

● Ordering Code



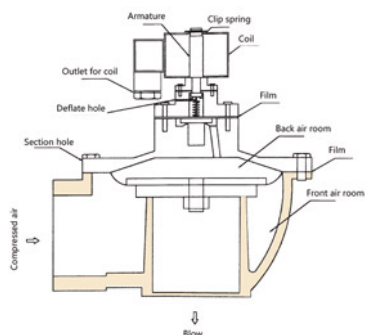
■ Installation method

Solenoid pulse valve input (in) is connected to the metal pipe of air storage cylinder, and its output is connected to the blast pipe of the dust pocket. Between the connect screw thread is fi lled with tetrafl uoroethylene tape for seal.

■ Technical Parameter

Item \ Specification	UM-20J	UM-25J
Material of Body	Aluminum Alloy	
Operating Method	Film Pilot	
Pressure Range	0.4 ~ 0.6MPa	
Medium Temperature	-5 ~ 60°C	
Specified Voltage	AC12V, AC24V, AC36V, AC110V, AC220V, AC380V, DC12V, DC24V, DC110V	
Operating Voltage Range	± 10%	
Min. Activating Time	0.05S	

■ Figure Dimension



Type mm	Pipe Size	Length mm	Width mm	Height mm
UM-20J	G3/4	89	75	123
UM-25J	G1	89	75	123

UM Series Pulse Valve



● UM-40

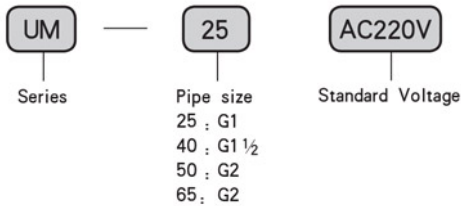


● UM-50

■ Product Introduction

This valve (disk valve) is a kind of compression air switch for blast cleaning system of pulse pocket type dust catcher and is controlled by the output signal from pulse blast controller. It blast cleans the filter bag line by line (pocket by pocket) and ensure the cleaning capacity and dust absorption efficiency of dust catcher.

● Ordering Code



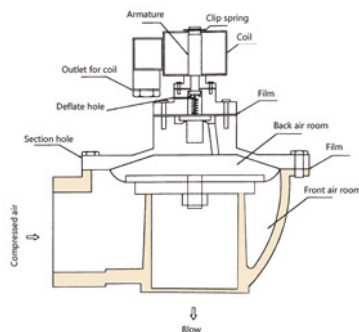
■ Installation method

Solenoid pulse valve input (in) is connected to the metal pipe of air storage cylinder, and its output is connected to the blast pipe of the dust pocket. Between the connect screw thread is filled with tetrafluoroethylene tape for seal.

■ Technical Parameter

Item \ Specification	UM-25	UM-40	UM-50	UM-65
Material of Body	Aluminum Alloy			
Operating Method	Film Pilot			
Pressure Range	0.4 ~ 0.6MPa			
Medium Temperature	-5 ~ 60°C			
Specified Voltage	AC12V、AC24V、AC36V、AC110V、AC220V、AC380V、DC12V、DC24V、DC110V			
Operating Voltage Range	±10%			
Min. Activating Time	0.05S			

■ Figure Dimension



Type mm	Pipe Size	Length mm	Width mm	Height mm
UM-25	G1	110	85	125
UM-40	G1 1/2	140	125	170
UM-50	G2	210	190	200
UM-65	G2 1/2	210	190	225

UME Series Flooding Valve



● UME-76

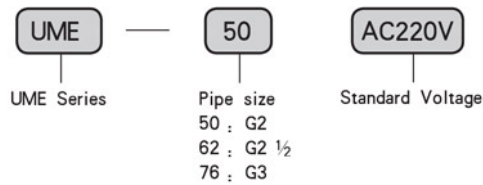


● UME-62



● UME-50

● Ordering Code



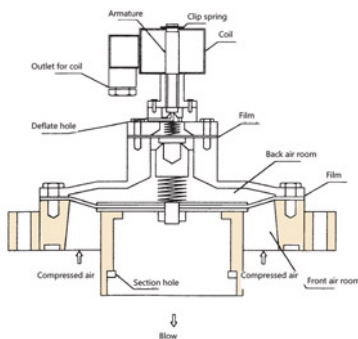
■ Product Introduction

This solenoid pulse valve is a flood type valve (also called inset valve). It is directly installed on the air bag with good straight blast and less lost of working air source. It is applied to the situation with wide range of air source pressure.

■ Technical Parameter

Item \ Specification	UME-50	UME-62	UME-76
Material of Body	Aluminum Alloy		
Operating Method	Film Pilot		
Pressure Range	0.2 ~ 0.6MPa		
Medium Temperature	-5 ~ 60°C		
Specified Voltage	AC12V、AC24V、AC36V、AC110V、AC220V、AC380V、DC12V、DC24V、DC110V		
Operating Voltage Range	±10%		
Min. Activating Time	0.05S		

■ Figure Dimension

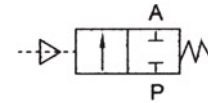


Type mm	Pipe Size	Length mm	Width mm	Height mm
UME-50	G2	250	250	210
UME-62	G2½	230	230	200
UME-76	G3	210	190	200

ZF-A Series Angel-seat Valve

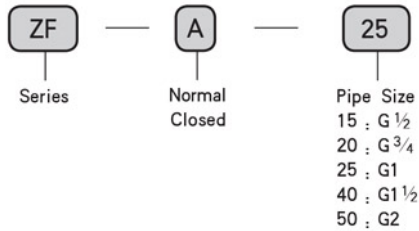


Graphics Sign



- ZF-A-35
- ZF-A-40
- ZF-A-50
- ZF-A-15
- ZF-A-20
- ZF-A-25

Ordering Code



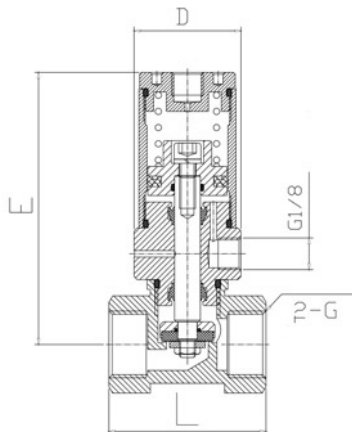
Character

This flashback valve adopts the air operated model control, with long life, perform reliably, Easy to operate and it is suitable in the place which refuses the power source.

Technical Parameter

Item \ Specification	ZF-A-15	ZF-A-20	ZF-A-25	ZF-A-35	ZF-A-40	ZF-A-50
Material of Body	Brass					
Operating Method	Plunger pilot					
Pipe Size	G 1/2	G 3/4	G1	G1 1/4	G1 1/2	G2
Nominal Diameter(mm)	23			34		
Applicable Medium	Air, Water, Oil(50CST Below)					
Pressure Range	0 ~ 0.8Mpa					
Medium Temperature	-5°C ~ 60°C(No Freeze)					
Control Pressure Range	0.3 ~ 0.8Mpa					

Figure Dimension



Specification	L	D	G	E
DN15	48	ø30	G1/2	84
DN20	55	ø36.5	G3/4	91
DN25	68	ø44.6	G1	96
DN35	84	ø70	G1 1/4	140
DN40	84	ø70	G1 1/2	140
DN50	100	ø70	G2	145

ZF Angel-Seat Valve

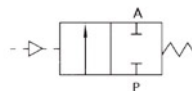


● ZF-B

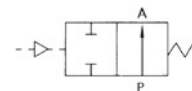


● ZF-T

Graphics Sign



● ZF-□ B



● ZF-□ T

Ordering Code

ZF

Series

15

Pipe size
15 : ZG1/2
20 : ZG3/4
25 : ZG1
32 : ZG1¼
40 : ZG1½
50 : ZG2
65 : ZG2 ½

B

Channels
B : Normal Closed
T : Normal Opened

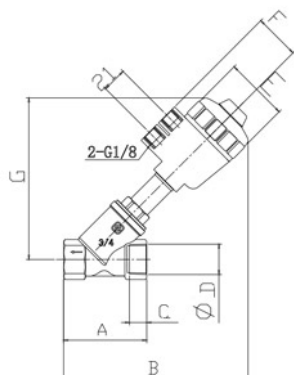
Specific Property

Has indicator for location of open or close of valve, external pilot witch can prolong the service life, no leak for 500 million times, free maintenance, has adjustable airproof cover between relief orifice and slide block. Material of body, stainless steel. Control air source, neutral gas, air.

Technical Parameter

Item \ Specification	Normal Closed	ZF-15B	ZF-20B	ZF-25B	ZF-32B	ZF-40B	ZF-50B	ZF-65B
	Normal Opened	ZF-15T	ZF-20T	ZF-25T	ZF-32T	ZF-40T	ZF-50T	ZF-65T
Material of Body	Stainless Steel							
Operating Method	Plunger Pilot							
Applicable Medium	Air, Water, Oil, Steam(50CST Below)							
Pipe Size	ZG1/2	ZG3/4	ZG1	ZG1¼	ZG1½	ZG2	ZG2 ½	
Nominal Diameter mm	13	20	25	32	40	50	65	
Kv (m3/h)	4.2	8	19	27.5	42	55	90	
Pressure Range MPa	0 ~ 1.6	0 ~ 1.1	0 ~ 1.1	0 ~ 1.5	0 ~ 1.25	0 ~ 1.1	0 ~ 0.52	
Min. Control Pressure MPa	0.39	0.39	0.42	0.5	0.44	0.32	0.32	
Actuator Dimension φ mm	50	50	63	80	100	125	125	

Figure Dimension



Pipe Size φ D	Nominal Diameter (mm)	Actuator Dimension φ mm	A	B	C	φ E	F	G
G1/2	13	50	85	173	12	64	44	137
G3/4	20	50	95	178	12	64	44	145
G1	25	63	105	212	14	80	52	173
G1 ¼	32	63	142	236	16	80	52	189
G1 ½	40	63	130	230	18	80	52	189
G2	50	63	150	238	20	80	52	205
G2 ½	65	80	250	250	22	100	62	240

Note : The Above Flowing Direction is Inverse for the Valve Roller [G1¼, G1½, G2] with Execuator Dimension of φ63.

ZF Angel-Seat Valve

Stainless Steel

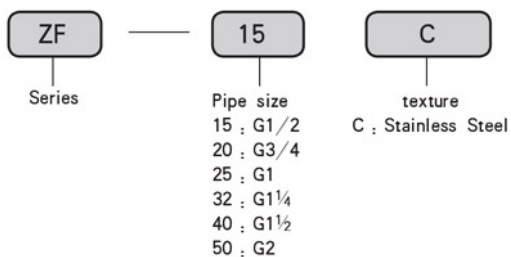


● ZF-C

■ Graphics Sign



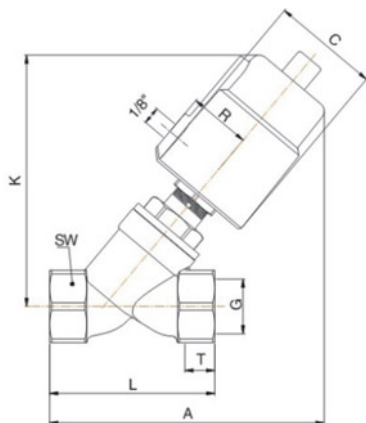
● Ordering Code



■ Specific Property

In a non-working state, due to the spring force, valve normally open (normally closed). when the piston is effected by compressed air, Valve open (off). Double-acting form by compression molding gas control valve switch.
ZF-C series of products with large flow, small flow resistance characteristics of water hammer. Y-type design flow increased by 30%. Long life. Stem automatic calibration, automatic lubrication, maintenance-free. Actuator made of stainless steel, more excellent in harsh environments, 360 degree rotation.

■ Figure Dimension

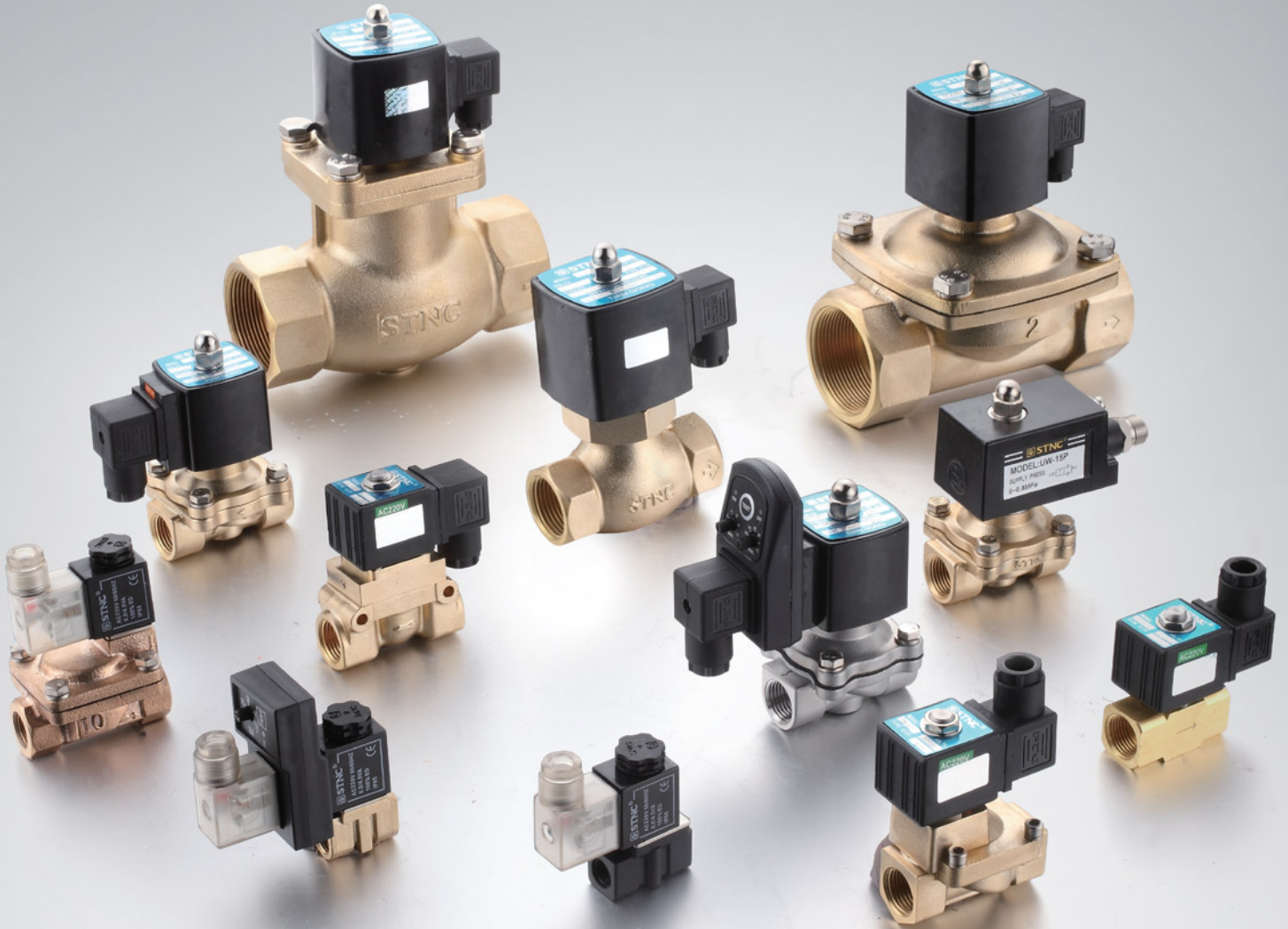


■ Technical Parameter

Item \ Specification	ZF-C
Using fluid pressure	Max 1.6MPa
Control air pressure	0.3~0.8MPa
Control gas source media	Neutral gas or air
Body Material	CF8M/CF8
Sealing materials	PTFE
Cylinder material	CF8
For media	Water, alcohol, oil, fuel, neutral gas or a liquid, acid solution, etc.
Medium viscosity	Max 600mm/s
Medium temperature	-10°C~180°C
Ambient temperature	-10°C~80°C
Control form	Single acting normally closed, normally open, double acting normally closed, double acting free state
Link form	Threaded

Specification	Actuator Specifications	Path (mm)	Flow value kv(m³/h)	Differential pressure range (Mpa)	Control pressure (Mpa)	C	R	K	G	T	A	L	SW
ZF-15C	50	13	6.3	0~1.6	≥ 0.3	50.5	27	112	G1/2	15	124	68	27
ZF-20C	50	18	11.5	0~1.6	≥ 0.3	60	33	132	G3/4	16	140	75	32
ZF-25C	63	24	20.6	0~1.6	0.3~0.4	75	41	162	G1	17	172	90	40
ZF-32C	63	31	30.3	0~1.6	0.3~0.6	75	41	174	G1¼	21	190	116	50
ZF-40C	63	35	42.3	0~1.6	0.3~0.7	75	41	175	G1½	21	190	116	56
ZF-50C	63	45	60.7	0~1.6	0.3~0.7	75	41	175	G2	22	230	138	69

STNC[®]



TD Series Solenoid Valve



● TD-15



● TD-10

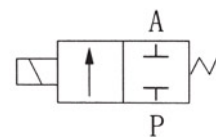


● TD-08

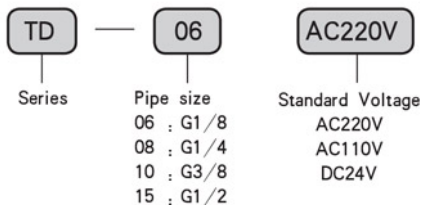


● TD-06

■ Graphics Sign



● Ordering Code



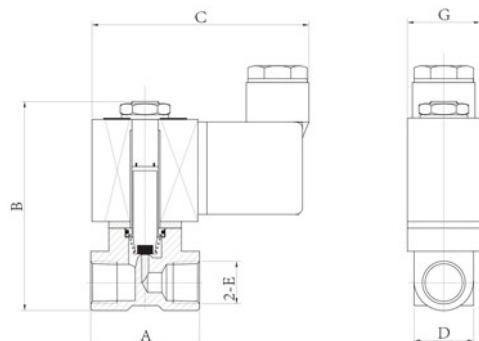
■ Specific Property

This valve has direct action type piston and quick action, with multiple purposes, high efficiency, long service life, good waterproof performance, multiple wiring directions and handsome shape.

■ Technical Parameter

Item \ Specification	TD-06	TD-08	TD-10	TD-15
Material of Body	Brass			
Control Method	Direct Action Type			
Pipe Size	G1/8	G1/4	G3/8	G1/2
Nominal Diameter (mm)	2	2	3	3
Pressure Range	0 ~ 1.0MPa			
Applicable Medium	Air	Water	Oil	
Medium Temperature	-10 ~ 60°C	1 ~ 60°C	-5 ~ 60°C	
Specified Voltage	AC24V、AC36V、AC110V、AC220V、DC24V、DC110V			
Operating Voltage Range	±10%			
Min. Activating Time	0.05S			
Power	AC220V : 4.8VA、DC24V : 5W		AC220V : 13VA、DC24V : 9W	

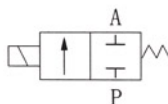
■ Figure Dimension



Specification	A	B	C	D	E	G
TD-06	33	65	65	18	G1/8	22
TD-08	33	65	65	18	G1/4	22
TD-10	49	68	78	23	G3/8	34
TD-15	54	69	80	25	G1/2	34

TF Series Solenoid Valve

■ Graphics Sign



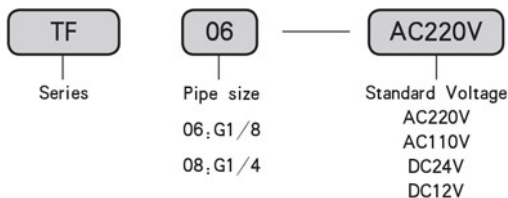
■ Character

This valve adopts direct piston action and quick action, with multiple purposes, high efficiency, long service life, good waterproof performance, multiple wiring directions and handsome shape.



● TF-08

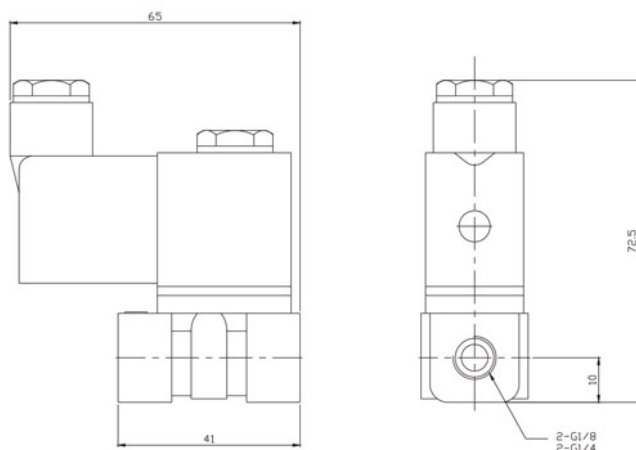
● Ordering Code



■ Technical Parameter

Item \ Specification	TF-06	TF-08
Applicable Medium	Air, Water, Oil, Gas	
Operating Method	Direct Action Type	
Model	Normal closed	
Aperture	2.5	
CV value	0.23	
Pipe Size	G1/8"	G1/8"
Applicable Fluid consistency	Lower than 20CST	
Using pressure Kg/cm ²	0 ~ 0.7	
Highest pressure Kg/cm ²	1.0	
Medium Temperature	-5 ~ 60°C (No Freeze)	
The range of voltage	±10%	
Material of Body	Project models steel	
Material of Seal	VITON	
Power	AC220V : 4.8VA , DC24V : 5W	

■ Figure Dimension



PK Series Solenoid Valve

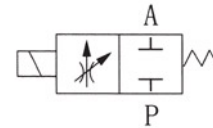


● PK-06



● PK-08

■ Graphics Sign



● Ordering Code

PK

Series

06

Pipe Size
06 : G1/8
08 : G1/4

AC220V

Standard Voltage
AC220V
AC110V
DC24V

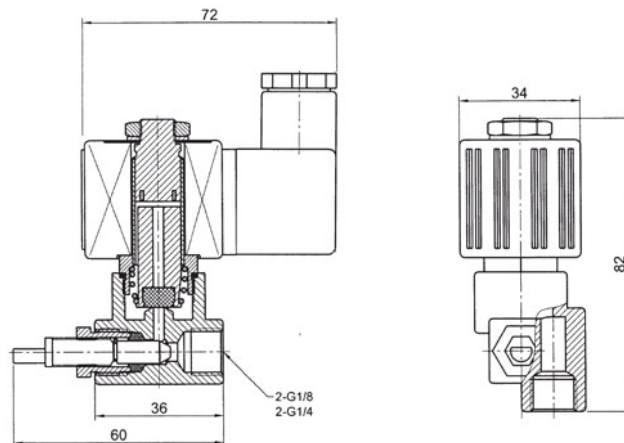
■ Character

This valve adopts direct piston action and quick action, with multiple purposes, high efficiency, long service life, good waterproof performance, multiple wiring directions, handsome shape and adjustable flow.

■ Technical Parameter

Item \ Specification	PK-06	PK-08
Material of Body	Tin Bronze	
Operating Method	Direct Action Type	
Nominal Diameter (mm)	3	3
Applicable Medium	Air, Water, Oil(50CST Bellow), Steam	
Pressure Range	0 ~ 1.0MPa	
Medium Temperature	-10 ~ 85°C (No Freeze)	
Specified Voltage	AC24V, AC36V, AC110V, AC220V, DC24V, DC110V	
Operating Voltage Range	±15%	
Min. Activating Time	0.05S	
Power	AC220V : 13VA , DC24V : 9W	

■ Figure Dimension



TUW Series Solenoid Valve



● TUW-40

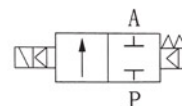


● TUW-25

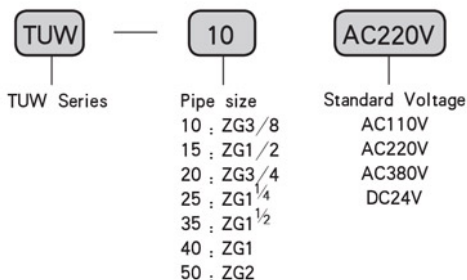


● TUW-15

■ Graphics Sign



● Ordering Code



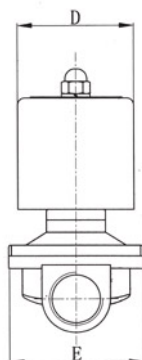
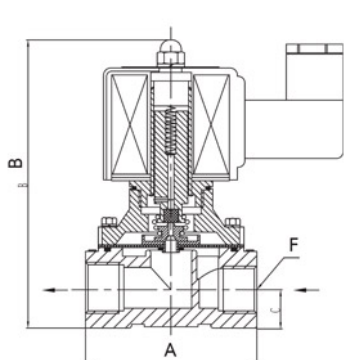
■ Character

This guiding type valve adopts the diaphragm seal structure, with zero differential pressure starting function, large flow, simple structure, easy maintenance, good waterproof performance directions and multiple wiring directions.

■ Technical Parameter

Item \ Specification	TUW-10	TUW-15	TUW-20	TUW-25	TUW-35	TUW-40	TUW-50
Material of Body	Foundry						
Operating Method	Film Pilot						
Pipe Size	ZG3/8	ZG1/2	ZG3/4	ZG1	ZG1 ¹ / ₄	ZG1 ¹ / ₂	ZG2
Nominal Diameter (mm)	16	20	20	25	37	37	50
Applicable Fluid	Air, Water, Oil(50CST Bellow)						
Pressure Range	0 ~ 0.8MPa						
Medium Temperature	-10 ~ 60°C (No Freeze)						
Specified Voltage	AC24V、AC36V、AC110V、AC220V、AC380V、DC24V、DC110V						
Operating Voltage Range	±10%						
Min. Activating Time	0.05S						
Install Method	Horizontal Installation						
Power	AC220V : 12.5VA、DC24V : 22.5W				AC220V : 20VA、DC24V : 30W		

■ Figure Dimension



Specification	A	B	C	D	E	F
TUW-10	70	102	13	48	57	ZG3/8
TUW-15	70	102	13	48	57	ZG1/2
TUW-20	78	110	16	48	57	ZG3/4
TUW-25	92	118	19	48	73	ZG1
TUW-35	122	159	25	63	94	ZG1 ¹ / ₄
TUW-40	122	162	28	63	94	ZG1 ¹ / ₂
TUW-50	170	182	35	63	124	ZG2

TWS Series Solenoid Valve



● TWS-50

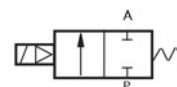


● TWS-25



● TWS-15

Graphics Sign



Ordering Code

TWS	—	10	AC220V
TWS Series		Pipe size	Standard Voltage
		10 : ZG3/8	AC110V
		15 : ZG1/2	AC220V
		20 : ZG3/4	AC380V
		25 : ZG1	DC24V
		35 : ZG1¼	
		40 : ZG1½	
		50 : ZG2	

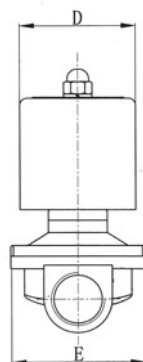
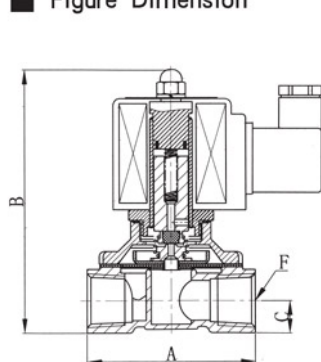
Character

This guiding type valve adopts the diaphragm seal structure, with zero differential pressure starting function the body adopts stainless steel, with anticorrosion, large flow, simple structure easy maintenance, good waterproof performance and multiple wiring directions.

Technical Parameter

Item \ Specification	TWS-10	TWS-15	TWS-20	TWS-25	TWS-35	TWS-40	TWS-50
Material of Body	Stainless Steel						
Operating Method	Film Pilot						
Pipe Size	ZG3/8	ZG1/2	ZG3/4	ZG1	ZG1¼	ZG1½	ZG2
Nominal Diameter (mm)	16	20	20	25	37	37	50
Applicable Fluid	Air, Water, Oil(50CST Bellow), Steam, Chemicals						
Pressure Range	0 ~ 0.8MPa						
Medium Temperature	-10 ~ 60°C (No Freeze)						
Specified Voltage	AC24V, AC36V, AC110V, AC220V, AC380V, DC24V, DC110V						
Operating Voltage Range	±10%						
Min. Activating Time	0.05S						
Install Method	Horizontal Installation						
Power	AC220V : 12.5VA, DC24V : 22.5W				AC220V : 20VA, DC24V : 30W		

Figure Dimension



Specification	A	B	C	D	E	F
TWS-10	70	102	13	φ 48	57	ZG3/8
TWS-15	70	102	13	φ 48	57	ZG1/2
TWS-20	78	110	16	φ 48	57	ZG3/4
TWS-25	92	118	19	φ 48	73	ZG1
TWS-35	122	159	25	φ 63.5	94	ZG1¼
TWS-40	122	162	28	φ 63.5	94	ZG1½
TWS-50	170	182	35	φ 63.5	124	ZG2

UWK Series Normally Open Solenoid Valve



● UWK-25

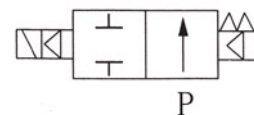


● UWK-20

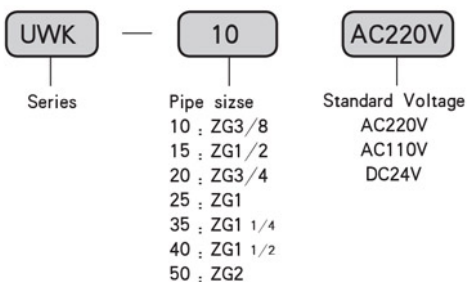


● UWK-15

■ Graphics Sign



● Ordering Code



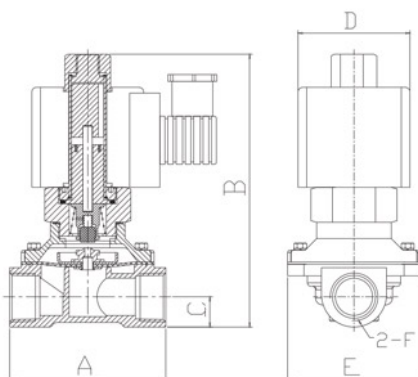
■ Character

This guiding type valve adopts the diaphragm seal structure, with zero differential pressure starting function, large flow, simple structure, easy maintenance, good waterproof performance directions and multiple wiring directions.

■ Technical Parameter

Item \ Specification	UWK-10	UWK-15	UWK-20	UWK-25	UWK-35	UWK-40	UWK-50
Material of Body	Cast copper						
Operating Method	Film Pilot						
Nominal Diameter(mm)	16	20	20	25	37	37	50
Applicable Medium	Air, Water, Oil(50CST Below)						
Pressure Range	0 ~ 0.8MPa						
Medium Temperature	-10 ~ 60°C (No Freeze)						
Specified Voltage	AC24V, AC36V, AC110V, AC220V, DC24V, DC110V						
Operating Voltage Range	±10%						
Min. Activating Time	0.05S						
Install Method	Horizontal Installation						
Power	AC220V : 12.5VA , DC24V : 22.5W						

■ Figure Dimension



Specification	A	B	C	D	E	F
UWK-10	70	128	16	48	57	ZG3/8
UWK-15	70	128	16	48	57	ZG1/2
UWK-20	78	136	17	48	57	ZG3/4
UWK-25	102	145	23	48	73	ZG1
UWK-35	122	185	25	63	94	ZG1 1/4
UWK-40	122	190	28	63	94	ZG1 1/2
UWK-50	170	212	35	63	124	ZG2

TE Series Solenoid Valve



● TE-15

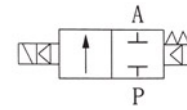


● TE-20

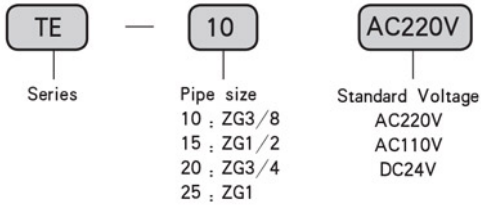


● TE-25

■ Graphics Sign



● Ordering Code



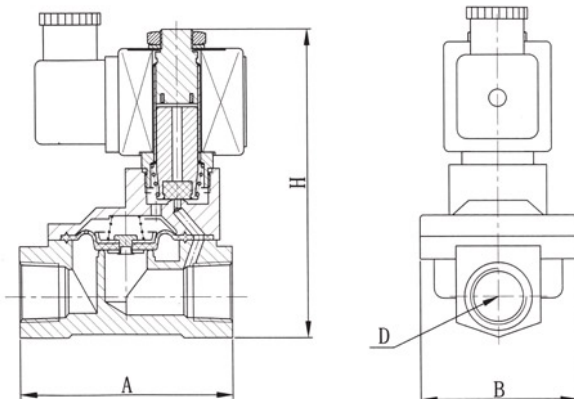
■ Specific Property

This guiding type valve adopts the diaphragm seal structure with quick action, large flow, simple structure, easy maintenance, good waterproof performance and multiple wiring directions.

■ Technical Parameter

Item \ Specification	TE-10	TE-15	TE-20	TE-25
Material of Body	Brass			
Operating Method	Film Pilot			
Nominal Diameter(mm)	13	13	20	25
Applicable Medium	Air	Water		Oil(50CST Below)
Pressure Range	-10 ~ 60°C	1 ~ 60°C		-5 ~ 60°C
Medium Temperature	0.1 ~ 1MPa			
Specified Voltage	AC24V、AC110V、AC220V、DC24V			
Operating Voltage Range	±10%			
Min. Activating Time	0.05S			
Power	AC220V : 13VA 、DC24V : 9W			

■ Figure Dimension



Specification	A	B	D	H
TE-10	66	48	ZG3/8	112
TE-15	66	48	ZG1/2	112
TE-20	96	70	ZG3/4	131
TE-25	96	70	ZG1	131

UH Series High-Pressure Solenoid Valve



● UH-25

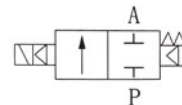


● UH-15

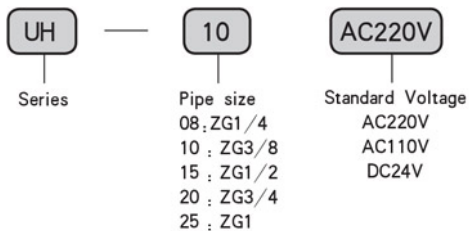


● UH-08

■ Graphics Sign



● Ordering Code



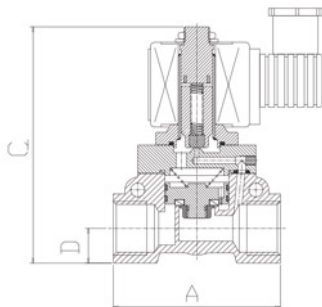
■ Character

This guiding type valve adopts the diaphragm seal structure, with zero differential pressure starting function, large flow, simple structure, easy maintenance, good waterproof performance directions and multiple wiring directions.

■ Technical Parameter

Item \ Specification	UH-08	UH-10	UH-15	UH-20	UH-25
Material of Body	Cast copper				
Operating Method	Plunger Pilot				
Nominal Diameter (mm)	14	14	14	20	25
Applicable Medium	Air, Water, Oil (20CST Below)				
Pressure Range	0.3 ~ 5.0MPa				
Medium Temperature	0 ~ 90°C (No Freeze)				
Specified Voltage	AC24V, AC36V, AC110V, AC220V, DC24V, DC110V				
Operating Voltage Range	±10%				
Min. Activating Time	0.05S				
Install Method	Horizontal Installation				
Power	AC220V : 13VA, DC24V : 9W				

■ Figure Dimension



Specification	A	B	C	D
UH-08	65	33	90	16
UH-10	65	33	90	16
UH-15	65	33	90	16
UH-20	92	45	120	20
UH-25	92	45	120	20

TUS Series High-temperature Solenoid Valve



● TUS-50

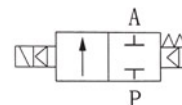


● TUS-25



● TUS-15

■ Graphics Sign



● Ordering Code

TUS

TUS Series

10

Pipe size
10 : ZG3/8
15 : ZG1/2
20 : ZG3/4
25 : ZG1
35 : ZG1 1/4
40 : ZG1 1/2
50 : ZG2

AC220V

Standard Voltage
AC110V
AC220V
AC380V
DC24V

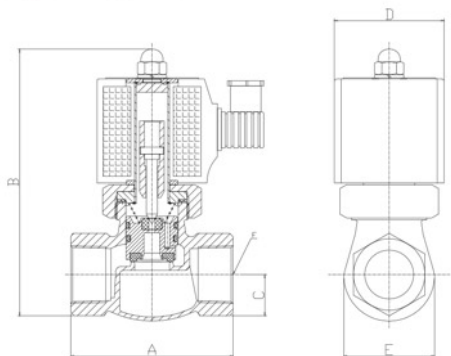
■ Character

It adopts teflon hard seal structure, with reliable performance, anticorrosion, high-temperature resistance, large flow, high pressure, good waterproof performance and multiple wiring directions.

■ Technical Parameter

Item \ Specification	TUS-10	TUS-15	TUS-20	TUS-25	TUS-35	TUS-40	TUS-50
Material of Body	Foundry						
Operating Method	Plunger pilot						
Pipe Size	ZG3/8	ZG1/2	ZG3/4	ZG1	ZG1 1/4	ZG1 1/2	ZG2
Nominal Diameter(mm)	17	17	17	20	30	30	50
Applicable Fluid	Air, Water, Oil(20CST Below), Steam						
Pressure Range	0.05 ~ 1.5MPa						
Medium Temperature	-5 ~ 185°C (No Freeze)						
Specified Voltage	AC24V, AC36V, AC110V, AC220V, AC380V, DC24V, DC110V						
Operating Voltage Range	±10%						
Min. Activating Time	0.05S						
Install Method	Horizontal Installation						
Power	AC220V : 20VA , DC24V : 30W						

■ Figure Dimension

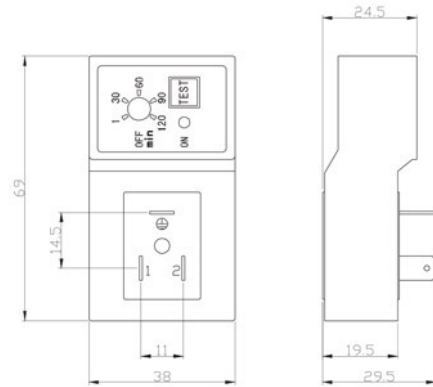


Specification	A	B	C	D	E	F
TUS-10	85	136	15	63	40	ZG3/8
TUS-15	85	136	15	63	40	ZG1/2
TUS-20	85	136	20	63	40	ZG3/4
TUS-25	93	146	23	63	52	ZG1
TUS-35	112	166	35	63	70	ZG1 1/4
TUS-40	112	166	35	63	70	ZG1 1/2
TUS-50	168	205	45	63	86	ZG2

Timer Drain Valve



CS-720



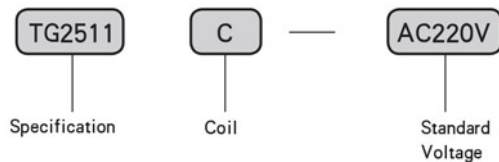
Ball Valve (Option)



CS-S95


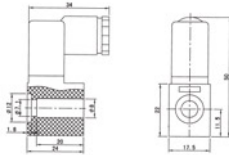

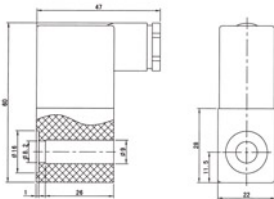


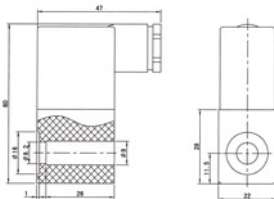
Item \ specification	CS-720
Voltage	24 . . 240V AC/DC-50Hz/60Hz
Quiescent current	4mA Max
Working temperature	-10° + 50°
Protection grade	IP65-EN60529
Switch sustaining voltage	400V Max
Contact capacity	1A
Instantaneous current	10A for 10ms
Switch life	3 X 10 ⁶
Indicator	Yellow LED
Connection type	DIN43650A

● Ordering Code


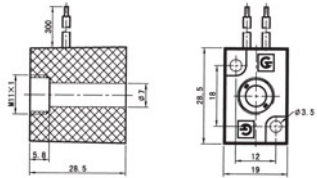

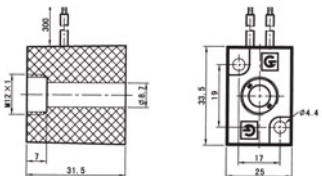

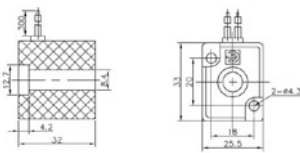

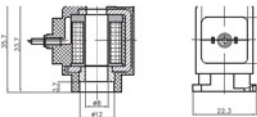

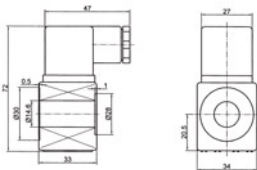



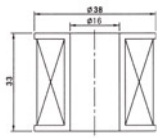

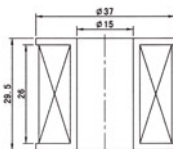

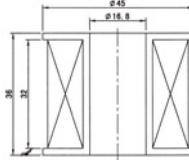

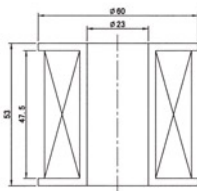

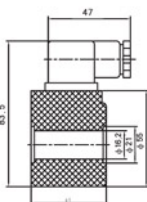

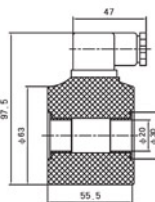
● Character

The coils produced by our company are in various types and specifications with handsome shape, reliable performance, long service life, low consumption of power, high and low temperature resistance, good fire resistance and high mechanical strength, it can meet the requirements of different pneumatic elements. They are multiple designed pressures for your choice. Special specifications can be made to order (AC12V~AC380V, DC6V~DC220V).

Type	Power	Picture	Figure Dimension	Suitable Type
TG2511CT- □	AC220V : 4VA DC24V : 2.6W			TG2511-06 TG2512-06
4V210CL- □	AC220V : 5VA DC24V : 4.8W			4V210-08, 4V310-10 4V410-15, TG2321-08 TG2331-10, TG2521-08 TG2522-08T, G2531-10 TG2532-10T, G2541-15 TG2542-15T, G2521-06 TG2521-08M, TG3522-08C TG3532-10C,
TG2521CL- □	AC220V : 5VA DC24V : 4.8W			
TG2521CL- □ S S : Die Cast Coil	AC220V : 5VA DC24V : 4.8W			TG2321-08 TG2331-10, TG2521-08 TG2522-08T, G2531-10 TG2532-10T, G2541-15 TG2542-15T, G2521-06 TG2521-08M, TG3522-08C TG3532-10C, FG2521-08 FG2522-08, FG2531-10 FG2532-10

Coil

Type	Power	Picture	Figure Dimension	Suitable Type
TM-06C-□	DC24V : 5.5W DC12V : 5.7W			TM-06
TM-08C-□	AC220V : 3.7VA DC24V : 7W DC12V : 6.1W			TM-08
VT307C-□	AC220V : 3.7VA DC24V : 5.4W			VT307
ZDZ/ZDXC-□	DC24V : 2W			ZDZ23-08/04 ZDX23-08/06
PKC□	AC220V : 13VA DC24V : 9W			TD-08 TD-10 TD-15 PK-06 PK-08

Type	Power	Picture	Figure Dimension	Suitable Type
UX23-2LC-□	AC220V : 10VA DC24V : 9W			UX22-2L, UX23-2L
UD-8C-□	AC220V : 9VA DC24V : 11W			UZ-B-06, UZ-B-08 UZ-B-10 UZ-C-06, UZ-C-08 UZ-C-10 UD-8, UD-6 UF-06, UF-08, UF-10 UW-C-06, UW-C-08 UW-C-10
UW-25C-□	AC220V : 12VA DC24V : 20W			UW-25, UW-20, UW-15, UW-10, UD-10
USC-□	AC220V : 20VA DC24V : 44W			US-10, US-15, US-20, US-25, US-35, US-40, US-50, UW-35, UW-40, UW-50
TUWC	AC220V : 12.5W DC24V : 22.5W			TUW-10, TUW-15 TUW-25, TWS-10 TWS-15, TWS-20 TWS-25, UWK-15 UWK-20, UWK-25
TUSC	AC220V : 20W DC24V : 30W			TUS-10, TUS-15, TUS-20 TUS-25, TUS-35, TUS-40 TUS-50, TUW-35, TUW-40 TUW-50, TWS-35, TWS-40 TWS-50