

## UD Series Solenoid Valve



● UD-10

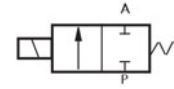


● UD-8



● UD-6

### ■ Graphic Sign



### ● Ordering Code

UD	6	H	AC220V
UD Series	Port Size: 6 : G1/8 8 : G1/4 10 : G3/8	Blank: Norma Type H: High Temperature Type	Standard Voltage: AC24V AC110V AC220V DC12V DC24V

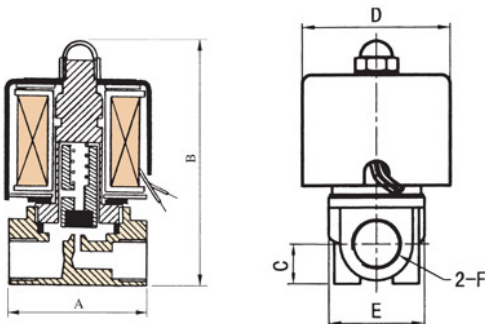
### ■ Specific Property:

This valve has direct action type piston and quick action, with multiple purposes, high efficiency, long service life, good waterproof performance, multiple wiring directions and handsome shape.

### ■ Technical Parameter

Item \ Specification	UD-6			UD-8			UD-10		
Material of Body	Brass								
Operating Method	Direct Action Type								
Pipe Size	G1/8			G1/4			G3/8		
Nominal Diameter (mm)	2.5			2.5			4		
Applicable Fluid	Air, Water, Oil ( below 50CST ), Steam								
Pressure Range	0 ~ 1.0MPa								
Applicable Temperature	Normal Type : -5 ~ 99°C ;						High-Temperature Type : -5 ~ 185°C		
Specified Voltage	AC12V	AC24V	AC36V	AC110V	AC220V	AC380V	DC12V	DC24V	DC110V
Power	8W	8 W	8 W	11 W	9 W	9W	11 W	11 W	11 W
Operating Voltage Range	±15%								
Min. Activating Time	0.05S								

### ■ Figure Dimension



Dimension	A	B	C	D	E	F
UD-6	40	76	10	φ 42	29.5	G1/8
UD-8	40	76	10	φ 42	29.5	G1/4
UD-10	53	93	12	φ 50	31.5	G3/8