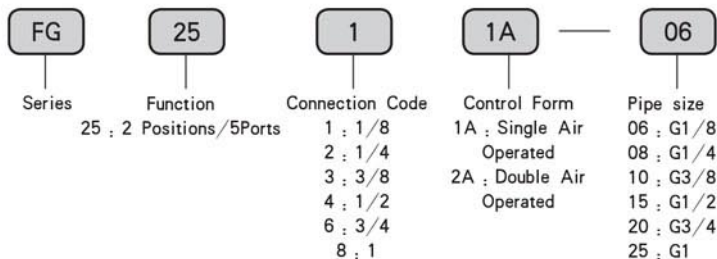


● Character

It is a derivative product from FG Series electric control valve. This valve is in novel design, simple structure, quick action and easy operation. It is controlled by pneumatic signal with higher safety, applicable to inflammable and explosive places. It is an ideal direction control element.

● Ordering Code



■ Technical Parameter

Specification	Item	Function	Pipe size	Nominal Diameter (mm)	Applicable Medium	Applicable Pressure Range	Control Method	Max Action Frequency	Lubrication	Medium Temperature
FG2511A-06	FG2512A-06	2 Positions / 5Ports	G1/8	6	Air	0.15 ~ 0.9 MPa	Gas control	6 Cycles/Sec	Needless	-5 ~ 60°C
FG2521A-08	FG2522A-08		G1/4	8						
FG2531A-10	FG2532A-10		G3/8	10						
FG2541A-15	FG2542A-15		G1/2	15						
FG2561A-20	FG2562A-20		G3/4	20						
FG2581A-25	FG2582A-25		G1	25						

2 Positions/5 Ports Air Valve

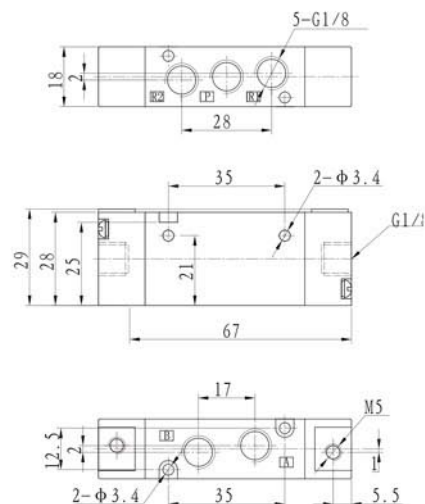
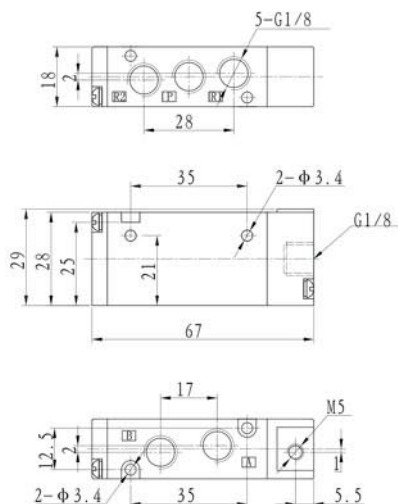
● FG2511A-06

● FG2512A-06



● FG2511A-06

● FG2512A-06



FG Series Air Valve

2 Positions/5 Ports Air Valve

● FG2521A-08

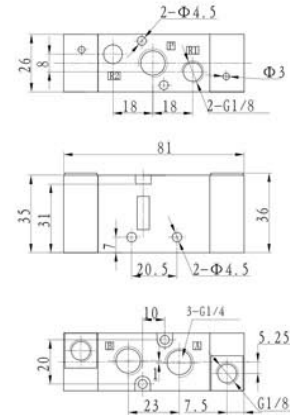
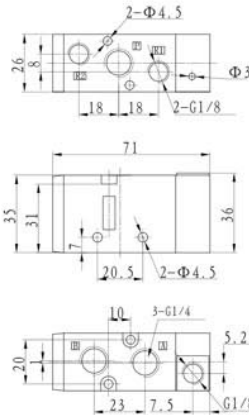
● FG2522A-08



● FG2521A-08



● FG2522A-08



2 Positions/5 Ports Air Valve

● FG2531A-10

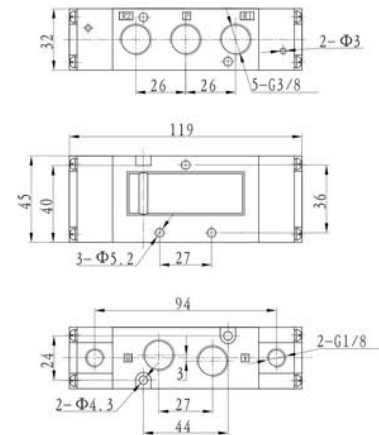
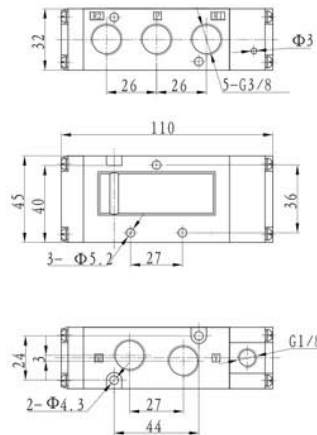
● FG2532A-10



● FG2531A-10



● FG2532A-10



2 Positions/5 Ports Air Valve

● FG2541A-15

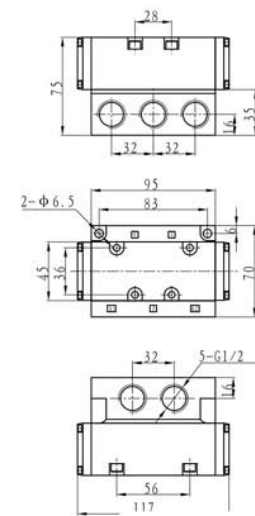
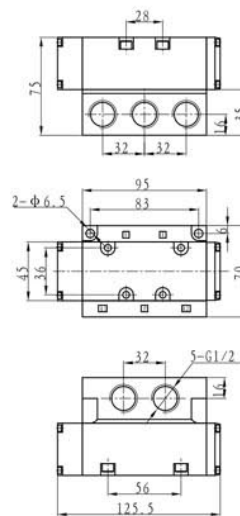
● FG2542A-15



● FG2541A-15

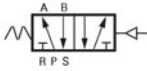


● FG2542A-15



FG Series Air Valve

2 Positions/5 Ports Air Valve

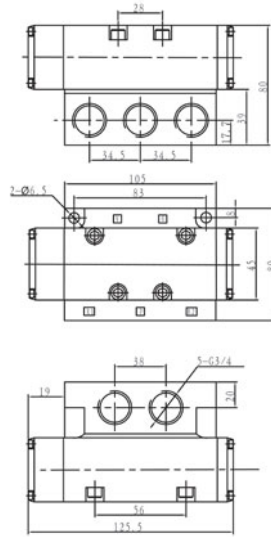


● FG2561A-20

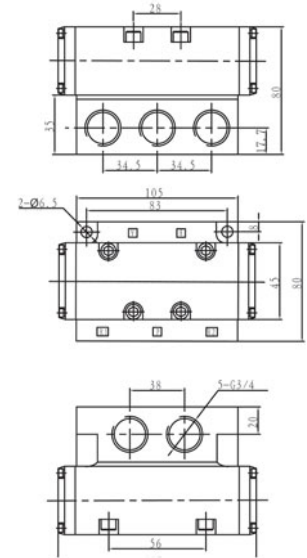


● FG2562A-20

● FG2561A-20



● FG2562A-20



2 Positions/5 Ports Air Valve

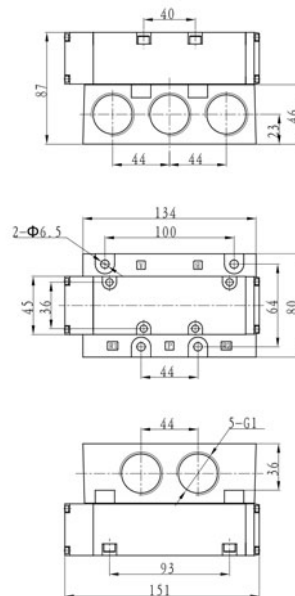


● FG2581A-25



● FG2582A-25

● FG2581A-25



● FG2582A-25

