

LOE Lubricator

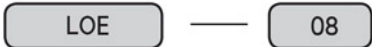
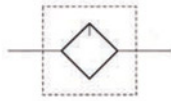


Character

Automatic variable throttle lubricator can be evenly sprayer to compressed air. A regulator ensures oil mist is proportional to compressed air flow. Compressed air gets through the venturi nozzle can make pressure drop, forcing the oil from the oil cup into oil window, with the compressed air come into the output port, while being atomized simultaneously. During working it can be constantly air refueling. Oil drop is adjusted by adjustable screws, usually every 1000L of air containing 1 to 12 drops is sufficient.

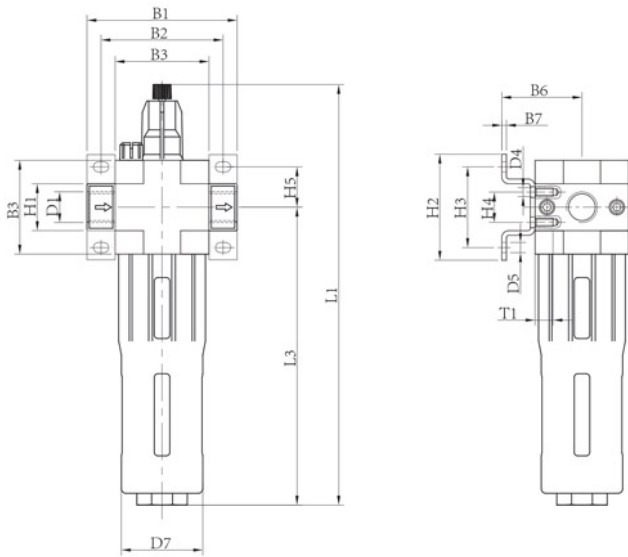
Ordering Code

Graphics Sign



Pipe size  
 06:G1/8  
 08:G1/4  
 10:G3/8  
 15:G1/2  
 20:G3/4  
 25:G1

Figure Dimension



Type	B1	B2	B3	D1	D4	D7	H1	H4	L1	L3
LOE-06	64	52	40	G1/8	M4	38	20	11	170	125
LOE-08	64	52	40	G1/4	M4	38	20	11	170	125
LOE-10	70	70	55	G3/8	M5	52	32	22	205	160
LOE-15	85	70	55	G1/2	M5	52	32	22	205	160
LOE-20	96	80	66	G3/4	M5	65	32	22	228	170
LOE-25	136	91	66	G1	M5	65	40	22	228	170

■ Technical Parameter

Lubricator	LOE-06	LOE-08	LOE-10	LOE-15	LOE-20	LOE-25
Working medium	filter compressed air, (lubricated or unlubricated)					
Connection Size	G1/8	G1/4	G3/8	G1/2	G3/4	G1
Standard rated flow	1000	1200	3300	4000	5000	5200
Max Working pressure	1.6MPa					
Max oil storage	45ml		110ml		110ml	
Temperature range	0 ~ +60°C					
Drain Holding Capacity	3L/min		6L/min		6L/min	
Recommended Lubricating Oil	ISOVG32					