

UWS Series Solenoid Valve



● UWS-50

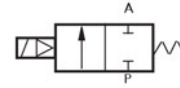


● UWS-25



● UWS-15

■ Graphic Sign



● Ordering Code

UWS	—	10	AC220V
UWS Series		Pipe Size:	Standard Voltage:
		10 : ZG3/8	AC24V
		15 : ZG1/2	AC110V
		20 : ZG3/4	AC220V
		25 : ZG1	DC12V
		35 : ZG1 1/4	DC24V
		40 : ZG1 1/2	
		50 : ZG2	

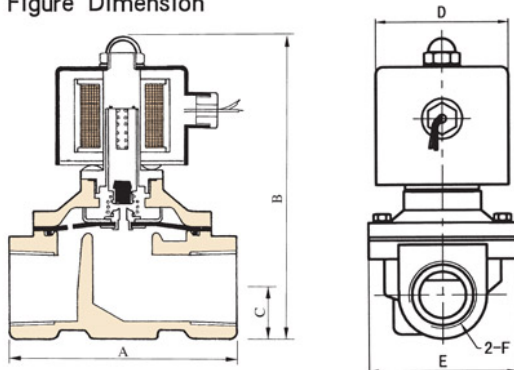
■ Specific Property:

This guiding type valve adopts the diaphragm seal structure, with zero differential pressure starting function, The body adopts stainless steel, with anticorrosion, large flow, simple structure, easy maintenance, good waterproof performance and multiple wiring directions.

■ Technical Parameter

Item \ Specification	UWS-10	UWS-15	UWS-20	UWS-25	UWS-35	UWS-40	UWS-50		
Material of Body	Stainless Steel								
Operating Method	Film Pilot								
Pipe Size	ZG3/8	ZG1/2	ZG3/4	ZG1	ZG1¼	ZG1½	ZG2		
Nominal Diameter (mm)	16	20	20	25	37	37	50		
Applicable Fluid	Air, Water, Oil (below 50CST), Steam, Chemicals								
Pressure Range	0 ~ 0.8MPa								
Applicable Temperature	-5 ~ 99°C								
Specified Voltage	AC12V	AC24V	AC36V	AC110V	AC220V	AC380V	DC12V	DC24V	DC110V
UW10-25 Power	11W	11W	10W	12 W	12W	12W	20 W	20 W	20 W
UW35-50 Power	22W	22W	22W	20 W	20W	20W	48 W	44 W	45 W
Operating Voltage Range	±10%								
Min. Activating Time	0.05S								
Install Method	Horizontal Fixing								

■ Figure Dimension



Dimension	A	B	C	D	E	F
UWS-10	69	117	16	φ 50	57	ZG3/8
UWS-15	69	117	16	φ 50	57	ZG1/2
UWS-20	74	124	17	φ 50	57	ZG3/4
UWS-25	99	135	23	φ 50	73	ZG1
UWS-35	123	172	30	φ 70	95	ZG1¼
UWS-40	123	172	30	φ 70	95	ZG1½
UWS-50	168	209	37	φ 70	123	ZG2