

G Series Manifold



Ordering Code

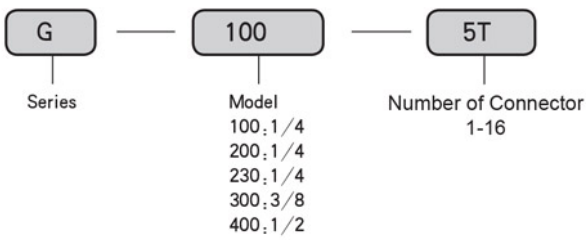


Figure Dimension (G230)

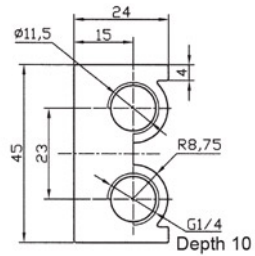
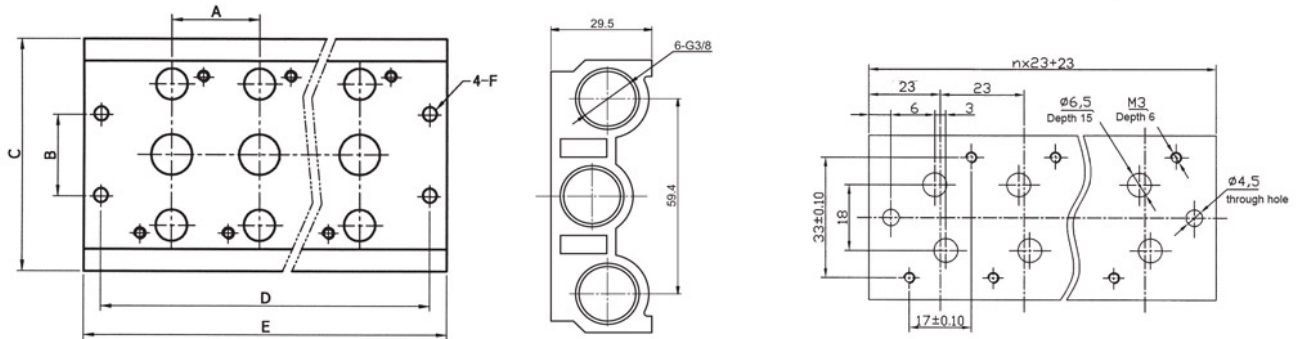
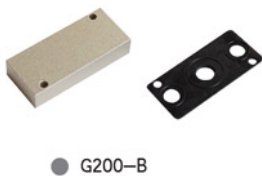


Figure Dimension



Manifold Type	A	B	C	D	E	F	G	H	I
G100 □ T	19	20	58	19(n-1)+28	19(n-1)+38	φ 4.5	G1/4	40	25
G200 □ T	23	20	60	23(n-1)+35	23(n-1)+46	φ 4.5	G1/4	42	25
G300 □ T	28	26	74	28(n-1)+45	28(n-1)+56	φ 4.5	G3/8	50	30
G400 □ T	35	32	100	35(n-1)+56	35(n-1)+70	φ 4.5	G1/2	65	41

Blank Plate For G Series Manifold



Ordering Code

