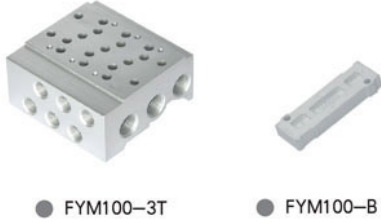
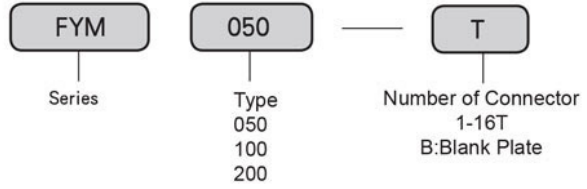


FYM Series Bottom Connected Manifold



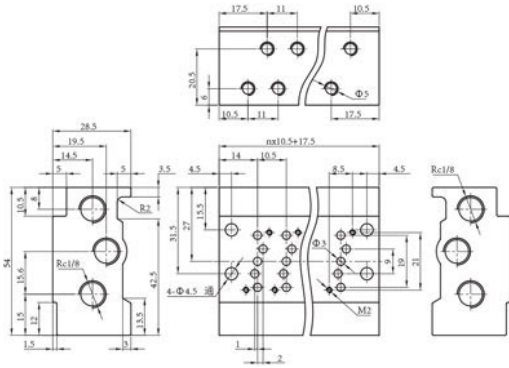
● Ordering Code



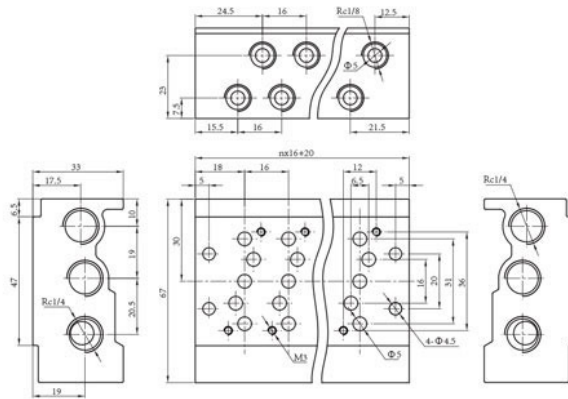
Note: 1 for die casting. 2 even for profiles.

■ Figure Dimension (Material base)

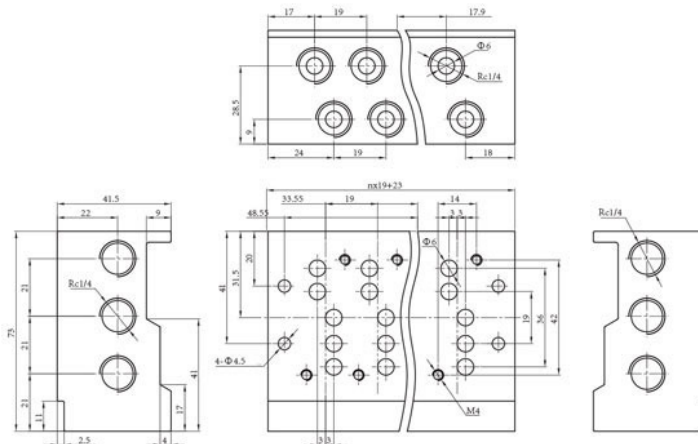
● FYM050-3T



● FYM100-3T



● FYM200-3T



FYM Series Bottom Connected Manifold

Figure Dimension (A single die casting base)

