

TGA/TGM/TGL Installing Accessories

Accord : ISO6432

● Ordering Code



■ accessories table

Accessories / model	TGA	TGAC	TGSA	TGAD	TGCD	TGAJ	TGACJ	TGAR	TGARC
FA	●	●	●	●	●	●	●	×	×
LB	●	●	●	●	●	●	●	×	×
SDB	●	●	●	×	×	×	×	×	×

■ accessories table

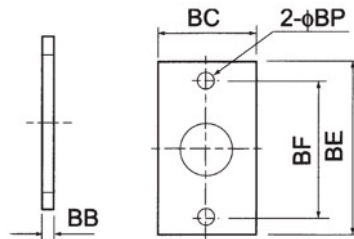
Accessories / model	TGM	TGSM	TGMD	TGMJ
FB	●	●	●	●
LB	●	●	●	●
SDB	●	●	×	×

■ Figure Dimension

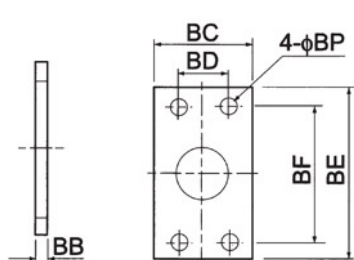
● FA



● $\phi 16 \sim \phi 25$



● $\phi 32 \sim \phi 40$

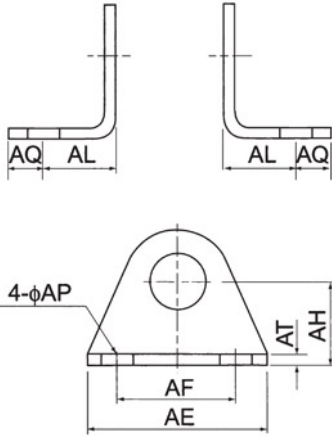


Bore	BB	BC	BD	BE	BF	BP
16	3	26	—	52	40	5.5
20	4	38	—	64	50	6.5
25	4	38	—	64	50	6.5
32	4	47	33	72	58	6.5
40	4	50	36	84	70	6.5

TGA/TGM/TGL Installing Accessories

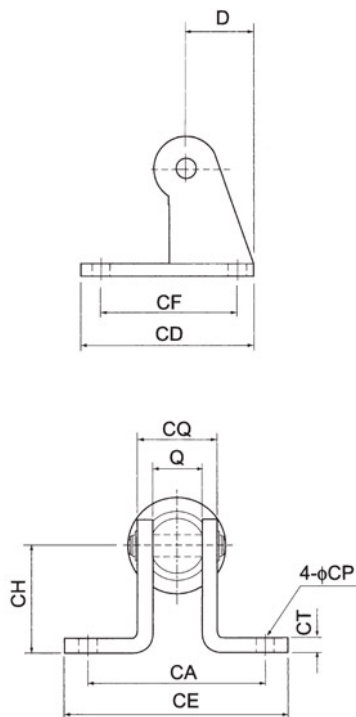
Accord : ISO6432

● LB



Bore	AE	AF	AL	AO	AP	AT	AH
16	44	32	13	6	5.5	3	20
20	54	40	15	8	6.5	3	25
25	54	40	15	8	6.5	3	25
32	59	45	25	8	6.5	4	32
40	64	50	25	8	6.5	4.5	36

● SDB



Bore	D	Q	CA	CD	CE	CF	CH	CT	CP	CQ
16	16	12	—	23	—	12	20	2.3	5.5	16.5
20	21	16	51	48	67	32	32	3	6.5	22
25	21	16	51	48	67	32	32	3	6.5	22
32	27	16	51	52	67	36	36	4	6.5	24
40	27	20	55	56	71	40	40	4	6.5	28